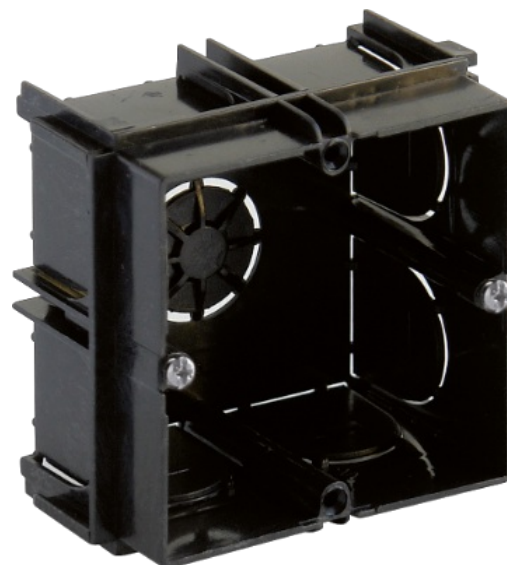


Flush mechanism box for 1 module, 65 x 65 x 40 mm. Universal. Linkable. AENOR certified.

Flush mechanism box for 1 module, 65 x 65 x 40 mm. Universal. Linkable. AENOR certified. With 9 inputs for tube Ø 25 mm.

Common applications: Indoor domestic / tertiary environment (Interior of home, offices, shops, etc.)



Features

Enclosure type	Mechanism box
Installation method	Flush in work
Use	Domestic / Tertiary
Location type	Inside
No. Modules (18 mm)	1
Dimensions gap (mm) (Width x Height x Depth)	65x65x40
Case material	Insulation
Case color	Black
Ticket type	Unfathomable
No. of inlets and size (mm)	9xØ25
Linkable	Vertically and horizontally

Technical data

Insulation class	Class II
Fire resistance (GWT)	650°C
Heat resistance (Ball pressure)	70°C
Installation temperature	-5°C -> +60°C
Free of halogens	Yes

Regulations

CE marking	Yes
UK marking	Yes
CMim marking	Yes
According to Regulations UNE/EN	UNE-EN 60670-1:2006 UNE-EN 60670-22:2007
According to REBT	Yes
AENOR certificate	Yes
According to European Directive 2014/35 / EU. Low voltage directive	Yes

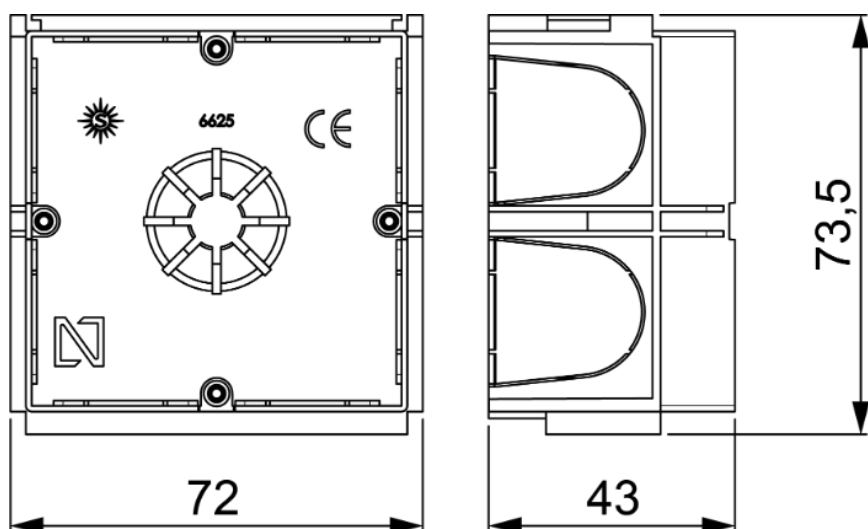
Sustainability

According to European Directive 2011/65/UE (RoHS)	The Directive 2011/65/EU (RoHS II) is not applicable as it does not correspond to the definition of Electrical and Electronical Equipment (EEE) as per article 3.1
According to European Directive 2012/19/UE (RAEE2)	Not applicable because it does not meet the definition of Electrical and Electronic Equipment (EEE) as described in Article 3.1(a) of Directive 2012/19/EU (WEEE II).

Logistics and packaging

Unit EAN code	8423220237124
EAN code container	8423220005365
EAN code packaging	18423220005362
Units Container	20
Units Packaging	500
Pallet Units	7500
Packaging Measures cm	59,8x59x37,5
Unit weight (gr)	26
Container Weight (Kg)	0,53
Packaging Weight (Kg)	14,19
Tariff code	85371098

Sketch



Documentation and downloads



[Certificate \(0.31MB\)](#)