

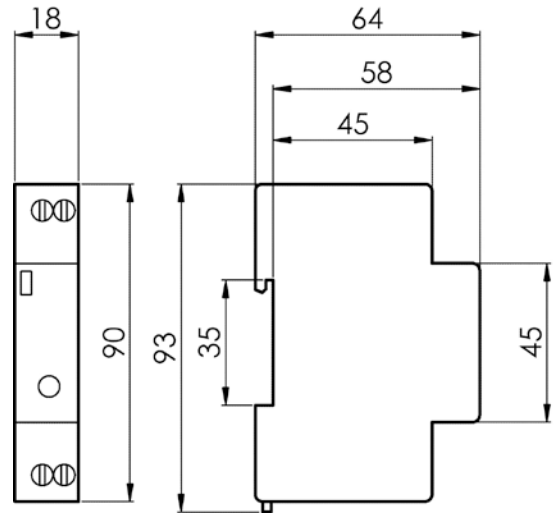
### Description y characteristics

Enables to set lighting times to a minimum in passageways. A staircase timer allows reduction of energy spent on lighting. Instead of having the staircase and corridors permanently lit, the lighting is reduced to a pre-defined amount of time after one of the push-buttons connected to the time ris pressed.

- Tension: 230V AC / 50/60Hz.
- Timmer: 30 sec - 15 min
- Dimensions: 1 DIN module.

### References

REF	Description	Functions	TIMMER	CONTACT	VOLTAGE
AE16/230/S	AUTOMATIC STAIRCASE	ON-TIMER	30 S - 15 min	1NO (16A)	230V AC



### Specifications

- EN 60669-2-3
- Directive 2006/95/CE
- Directive 2011/65/UE (RoHS)

### Technical Data

- Fire resistance GWT 850°C (Glow Wire Temperature)
- HALOGEN FREE material

